

# AMP1-2SDA

3G/HD/SD-SDI, AES3 & Analog Audio Monitor



A high-quality, compact and reliable audio monitor for selection and monitoring of a single audio pair from either a 3G/HD/SD-SDI, AES3, or Analog source



With Wohler's renowned high-quality audio, the AMP1-2SDA provides instantaneous selection and monitoring of any available audio pair from either a 16 channel SDI, 2 channel AES3, or 2 channel Analog source.

It features adjustable volume and balance controls, clear display of levels on two 26 segment LED meters and an average phase indicator.

Designed with simplicity in mind, the AMP1-2SDA provides two rotary controls that allow the user to easily select the source type with the first and move through corresponding audio pairs with the second.

A large front panel screen clearly displays the selected source and pair and is highly visible to users, even in busy technical environments.

Additional features include simple tone controls for adjusting audio output and an audio trim control for altering the analog output levels.

Ultra-compact, the AMP1-2SDA fits perfectly in a network facility or OB truck live event and is ideal for a range of applications where basic, but reliable stereo monitoring is required.

## Features & Benefits

- Wohler quality sound
- Selectable 2 channel monitoring
- Bright, easily visible front panel display
- Simple, uncluttered front panel controls
- Adjustable Volume and Balance
- Stereo phase indicator
- Selectable trim and tone controls
- Monitor through built-in speakers, headphones and analog outputs
- Shallow chassis for easy installation in OB vehicles and consoles
- An additional 8 pairs of both AES3 and Analog inputs available on the AMP1-2SDA+

Model	Part ID	Description
AMP1-2SDA	8103-0200	2 Channel, 3G/HD/SD-SDI, AES3, Analog Audio Monitor. 1RU.
AMP1-2SDA+	8103-0210	2 Channel, 3G/HD/SD-SDI, AES3, Analog Audio Monitor with 16 additional AES3 and Analog inputs. 1RU.



# AMP1-2SDA

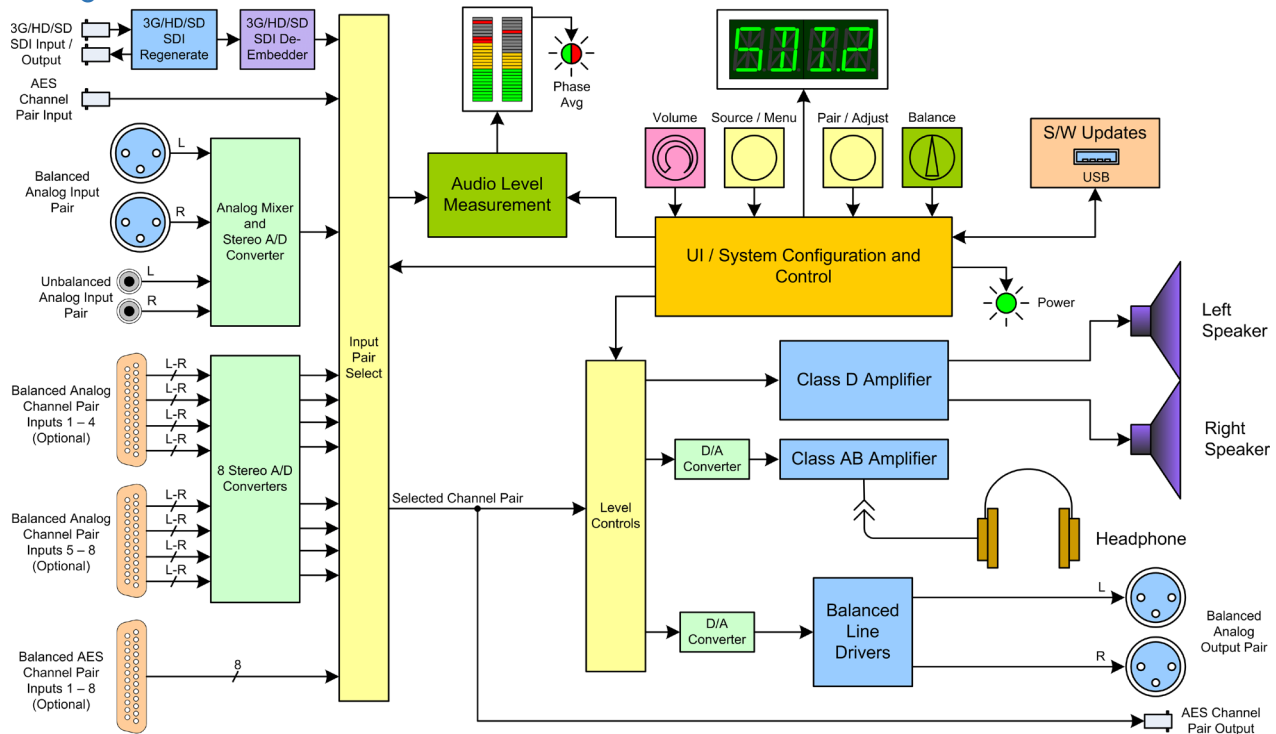
3G/HD/SD-SDI, AES3 & Analog Audio Monitor



## Rear Panel



## Block Diagram



Specifications	AMP1-2SDA
Dimensions	1RU in standard 19" rack: 19"x 1.75"x 4.25" (483 x 44 x 107 mm)
Shipping / Net Weight	7.0 lbs (3.2 kg) / 5.0 lbs. (2.3 kg)
Power Requirements	60 W typical, 100 - 240 VAC ± 10%, 50/60 Hz,
Signal Inputs/Outputs	<ul style="list-style-type: none"> <li>1 3G/HD/SD-SDI input on BNC (looped output)</li> <li>1 AES3 input on BNC</li> <li>2 Balanced Analog inputs on XLR-F</li> <li>2 Unbalanced Analog inputs on RCA</li> <li>2 Unbalanced Analog outputs on XLR-M</li> <li>Headphone Output on 1/4" jack</li> <li><b>AMP1-2SDA+ additional inputs</b> <ul style="list-style-type: none"> <li>o 16 Analog inputs on 2 x DB25</li> <li>o 16 AES3 channels on 1 x DB25</li> </ul> </li> </ul>
Hum and Noise	Better than -68 dB below full output
Peak Acoustic Output	90 dB SPL @ 2 ft.
Speaker Power Output	5W RMS per side, 12W peak
Upgrades	Front panel USB port for software updates

Specifications subject to change, errors and omissions excepted  
 All trademarks, product names and images are the property of their respective owners  
 Any rights not expressly granted herein are reserved. Rev: 06/14/22

Wohler Technologies, Inc.  
 1280 San Luis Obispo. Hayward, CA, 94544, USA  
 +1 510 870 0810 | sales@wohler.com | www.wohler.com