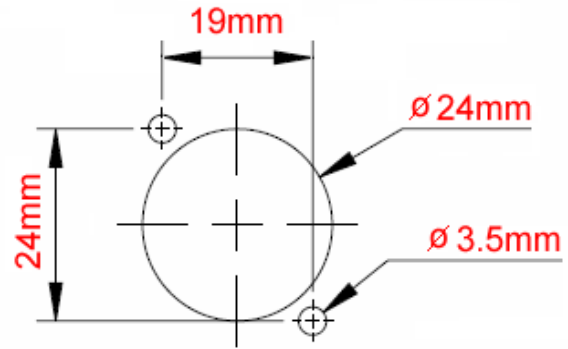
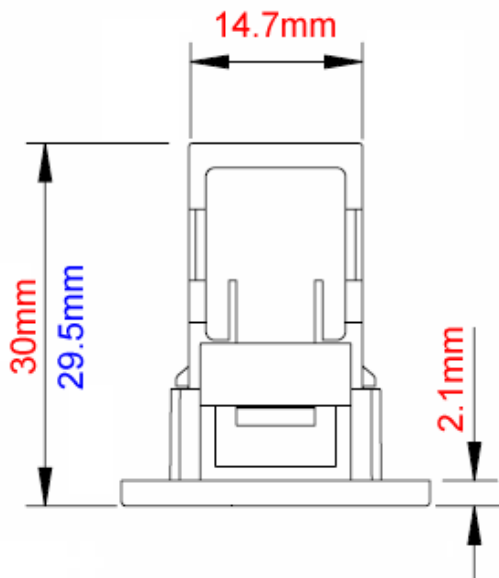
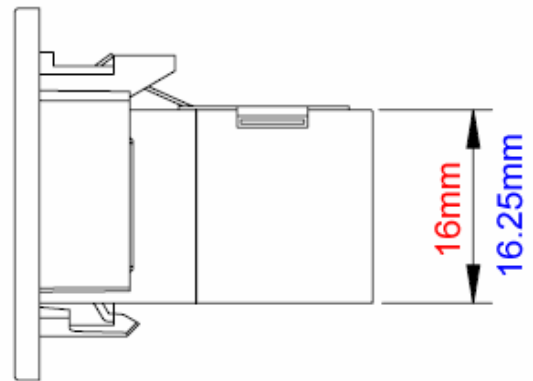
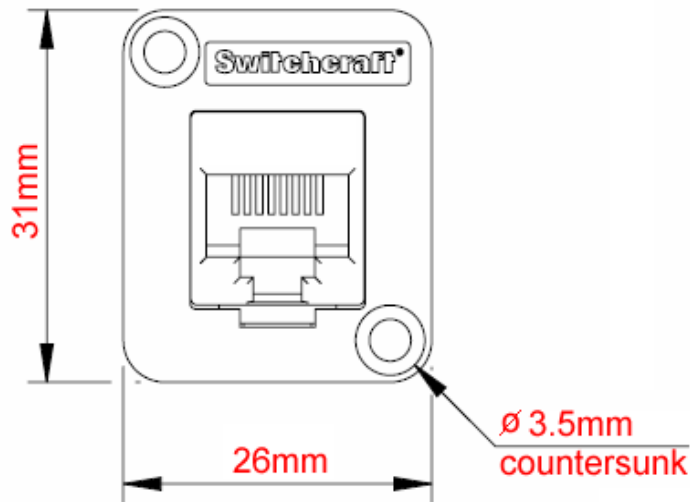


SWITCHCRAFT UNIVERSAL SERIES CAT5E AND CAT6 RJ45 CONNECTORS



Panel Cut-Out



Blue Text - unshielded variances

- 44-3641 SWITCHCRAFT EHRJ45P5E Cat5E, unshielded, fem-fem feedthrough, black
- 44-3642 SWITCHCRAFT EHRJ45P5ES Cat5E, shielded, fem-fem feedthrough, black
- 44-3643 SWITCHCRAFT EHRJ45P6 Cat6, unshielded, fem-fem feedthrough, black
- 44-3644 SWITCHCRAFT EHRJ45P6S Cat6, shielded, fem-fem feedthrough, black

RJ45 feedthrough connectors mounted in plastic housings which fit the Neutrik 'D' series and Canford 'Universal' series cut-out. Suitable for use with connection panels, connection plates, wallboxes, stageboxes or any application where this cut-out is available.

Both shielded and unshielded designs are available, for Cat5E and Cat6. Connectors can be mounted front of panel (also rear mountable but not recommended), and are available in black.

'Universal Connection System' is a series designation originated by Canford Audio. Copyright Canford Audio 1987.

**ADAPTERS MEET:**

- CAT5e: TIA/EIA-568-B.2 STANDARD
- CAT6: TIA/EIA-568-B.2-1 STANDARD

**MATERIALS:**

- RJ45 MOUNTING PLATE                      THERMOPLASTIC, BLACK
- RJ45 HOUSING                              THERMOPLASTIC, BLACK
- RJ45 SHIELD                                COPPER ALLOY, NICKEL PLATED

PRODUCT IS RoHS COMPLIANT.

