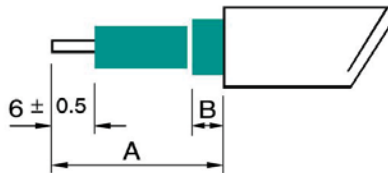
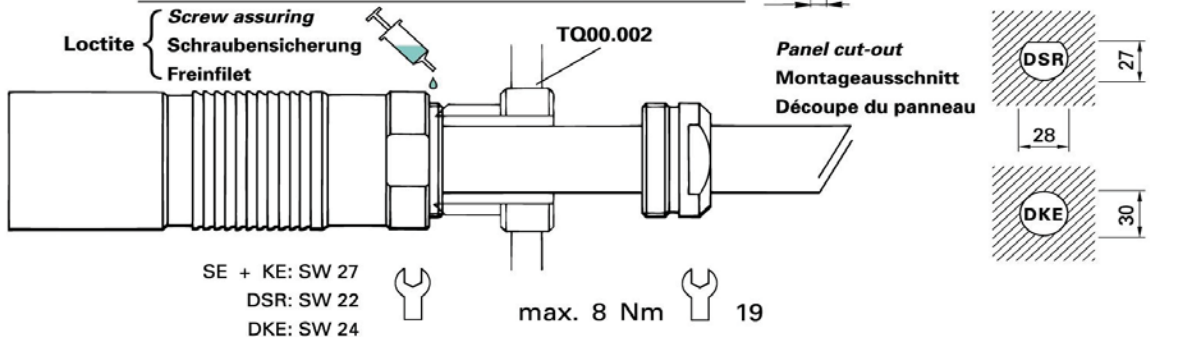
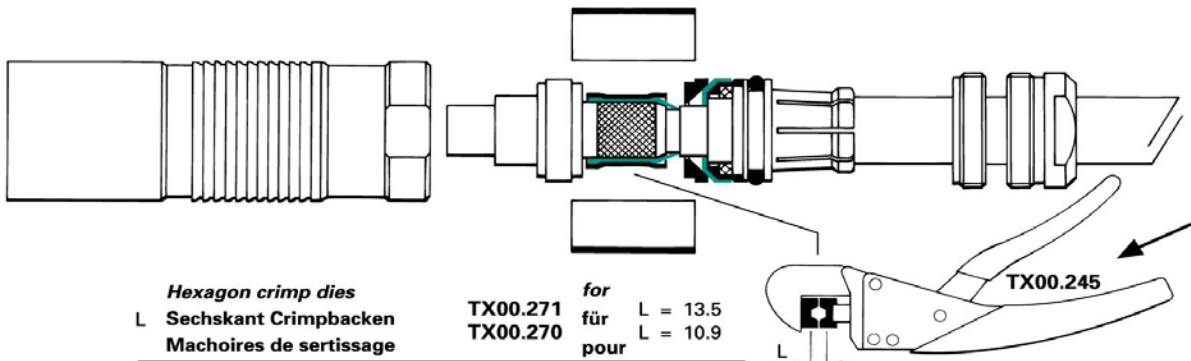
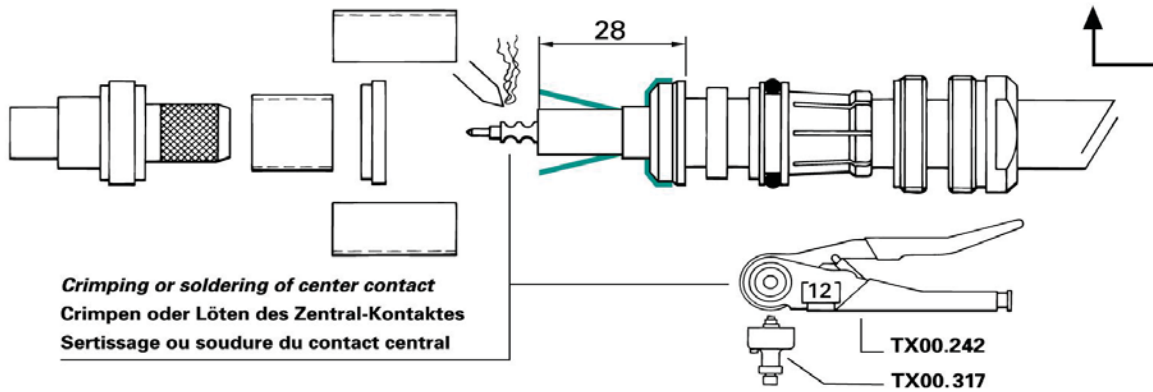


SE and KE 1051 A004-4 / DSR and DKE 1051 A004-4



REF.	A	B	C
SE + KE 1051 A004-4.2.1Ls/10s/15.2	27	5	13.5
DKE 1051 A004-4.2.1Ls/10s/15.2	27	7.5	13.5
DSR1051 A004-4.2.1Ls/10s/15.2	27	7.5	10.9
SE + KE 1051 A004-4 T1895/13.6	27	5	10.9
DSR + DKE 1051 A004-4 T1895/13.6	27	7.5	10.9



All dimension shown are in millimeters and are for reference only

For termination tooling see 1051 series catalogue version 4.0