

N/D367s
N/DYM® Dynamic Cardioid
Vocal Microphone



Key Features:

- **Classic N/DYM® sound**
- **Smooth, controlled frequency response**
- **High N/DYM® sensitivity**
- **Superior multistage shock mount and “Warm Grip” handle for unmatched low handling noise**
- **On/Off switch**
- **Also sounds great when used on a podium**



General Description:

The Electro-Voice N/D367s is a member of a family of microphones that are manufactured with refinements that enhance the sonic smoothness, improve gain-before-feedback and provide more consistent performance with greater durability than earlier generations of N/DYM® microphones.

The controlled response of the N/D367s allows the user to easily work the microphone for optimal performance.

The N/DYM® magnet geometry used in the N/D367s, combined with a reinforced diaphragm design, creates a smooth, extended frequency response with a warm, open and transparent sound quality.

The N/DYM® microphones feature EV's AcoustiDYM™ shock-mount system. This unique vibration isolating system works as a multistage device. At low frequencies, a rear sound wave cancels the diaphragm motion, while, at high frequencies, the specially designed rubber shock mount isolates the transducer from motion. Combining AcoustiDYM™ with the elastomeric Warm-Grip™ handle and the windscreen bumper produces an advanced technology, vibration isolating system which dramatically reduces all forms of handling noise for the most demanding situations.

The N/D367s has a cardioid polar pattern, providing an enhanced front-area sensitivity and acoustic rejection directly behind the microphone, reducing feedback under live performance conditions. This is particularly useful with typical monitor speaker placement and high sound pressure (SPL) requirements. Additionally, the N/D367s's polar patterns are unusually uniform with frequency, ensuring superior gain-before-feedback in live applications and superior isolation when used in the studio.

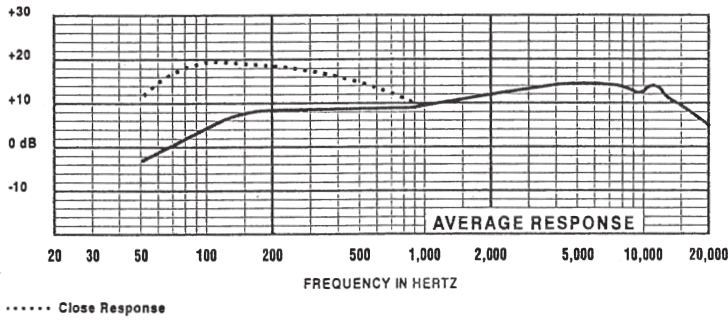
The N/D367s pop filter's unique design utilizes a specially processed Acoustifoam™ filter to minimize wind noise and vocal P-pops. This design makes the pop filter an integral part of the microphone's removable front grille assembly, allowing easy cleaning for continued top performance.

Technical Specifications:

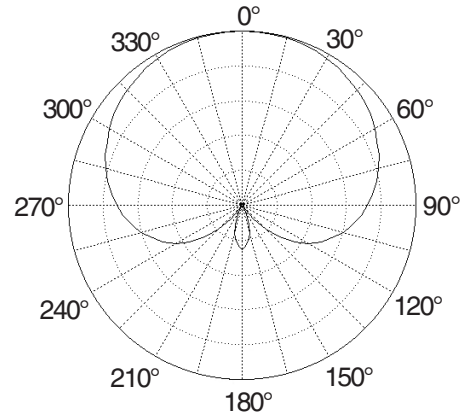
Freq. Response, Close:	30 Hz - 22,000 Hz
Freq. Response, Far:	60 Hz - 22,000 Hz
Polar Pattern:	Cardioid
Sensitivity, Open Circuit Voltage @ 1 kHz:	3.0 mV/pascal
Dynamic Range:	144 dB
Equivalent Output Noise:	14 dB A weighted (0 dB = 0.00002 pascal)
Polarity:	Positive pressure on diaphragm causes positive voltage on pin 2 ref. pin 3
Impedance:	150 ohms balanced (low-z)
Accessories Included:	Mic Stand Adapter Soft Zippered "Gig" Bag
Dimensions, Length:	7.12" (181 mm)
Diameter:	2.05" (52 mm)
Shank:	0.80" (20 mm)
Net Weight:	9.1 oz (258 g)
Shipping Weight:	18.9 oz (535 g)

The N/D367s also features a noiseless on/off switch, which is useful in giving the speaker/vocalist control of their signal to the mixer.

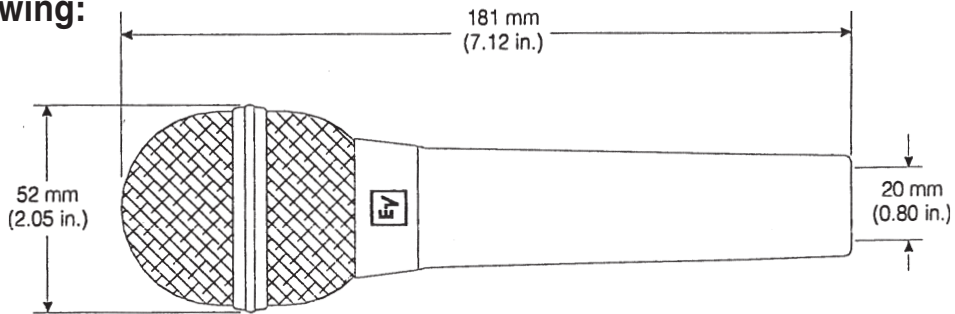
Frequency Response:



Polar Response: (5 dB per division)



Dimension Drawing:



Limited Warranty:

The Electro-Voice products are guaranteed against malfunction due to defects in materials or workmanship for a specified period, as noted in the individual product-line statement(s) below, or in the individual product data sheet or owner's manual, beginning with the date of original purchase. If such malfunction occurs during the specified period, the product will be replaced (at our option) without charge. The product will be returned to the customer prepaid. **Exclusions and Limitations:** The Limited Warranty does not apply to: (a) exterior finish or appearance; (b) certain specific items described in the individual product-line statement(s) below, or in the individual product data sheet or owner's manual; (c) malfunction resulting from use or operation of the product other than as specified in the product data sheet or owner's manual; (d) malfunction resulting from misuse or abuse of the product; or (e) malfunction occurring at any time after repairs have been made to the product by anyone other than EVI Audio Service or any of its authorized service representatives. **Obtaining Warranty Service:** To obtain warranty service, a customer must deliver the product, prepaid, to EVI Audio Service or any of its authorized service representatives together with proof of purchase of the product in the form of a bill of sale or receipted invoice. A list of authorized service representatives is available from EVI Audio Service at:

12000 Portland Avenue South,
Burnsville, MN 55337
(952-884-4051 or fax 952-884-0043)

Incidental and Consequential Damages Excluded: Product repair or replacement and return to the customer are the only remedies provided to the customer. Electro-Voice shall not be liable for any incidental or consequential damages including, without limitation, injury to persons or property or loss of use. Some states do not allow the exclusion or limitation of incidental or consequential damages so the above limitation may not apply to you. **Other Rights:** This warranty gives you specific legal rights, and you may also have other rights which vary from state to state. Electro-Voice Wired Microphones are guaranteed against malfunction from any cause for two (2) years from the date of original purchase. In addition, the Limited Warranty for the acoustic system contained in these microphones shall apply for the life of the product, defined as a period of ten (10) years from the date that the manufacture of the specific microphone has been discontinued. Any and all active electronics incorporated in these microphones are guaranteed against malfunction due to defects in materials or workmanship for a period of three (3) years from the date of original purchase. The Limited Warranty does not extend to cables, cable connectors, or switches. Additional details are included in the Uniform Limited Warranty statement. For warranty repair, service information, or a listing of repair facilities nearest you, contact the service repair department at:

For technical assistance, contact Technical Support at:

8601 E. Cornhusker Hwy.
Lincoln NE 68507
(402-467-5321 or 800-553-5992 or fax 402-467-3279)

M-F, 8:00 a.m. to 5:00 p.m. Central Standard time.
Specifications subject to change without notice.

N/D367s Part Number: 301341-000



12000 Portland Avenue South, Burnsville, MN 55337
Phone: 952/884-4051, Fax: 952/884-0043
www.electrovoice.com
© Telex Communications, Inc. 11/2002
Part Number 534569 Rev. B

U.S.A. and Canada only. For customer orders, contact Customer Service at:
800/392-3497 Fax: 800/955-6831

Europe, Africa, and Middle East only. For customer orders, contact Customer Service at:
+ 49 9421-706 0 Fax: + 49 9421-706 265

Other International locations. For customer orders, contact Customer Service at:
+ 1 952 884-4051 Fax: + 1 952 736-4212

For warranty repair or service information, contact the Service Repair department at:
800/685-2606

For technical assistance, contact Technical Support at: **866/78AUDIO**

Specifications subject to change without notice.